

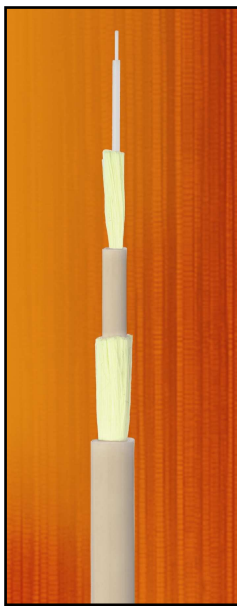
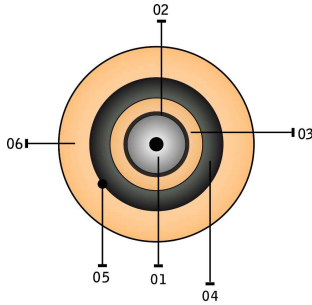
.....

OPTRAL



CAR / R1

Reinforced Drop Cable



All technical specifications are subject to change without prior notice. Consult OPTRAL for the latest edition.

Cable description

- 01. Tight Buffered Fibre
- 02. Strength members
- 03. Inner Jacket
- 04. Strength members
- 05. Outer Jacket

Fire Resistance

- Flame retardant (IEC 60332-1)
- Halogen free (IEC 60754-1/-2)
- Low smoke emission (IEC 61034-2)

Applications

- Indoor
- Outdoor (LSZH-LT)
- Drop cable
- Pigtail and jumper connections
- Direct connection to terminal equipments FTTx

Options

- Fibre type
- Special colour code
- LSZH-LT (UV Protected) from -40°C to 70°C
- Jacket colour
- Special packaging "Reel in a Box" ¹

CPR Classification (Euroclass)

- Reaction to Fire: Dca, s1, d1, a1
- Declaration Code: DOP02003

Advantages

Flexible / Resilient / Dielectric / Reinforced / Direct connectorization.



SPECIFICATIONS

Type	R100	R105
Fibre Count	1	2
Buffer Diameter (mm)	0.9	0.6
Fibre Type	G.657A	G.657A
Strength Members	Aramid Yarns	Aramid Yarns
Inner Jacket	LSZH ²	LSZH ²
Outer Jacket	LSZH ²	LSZH ²
Jackets Colour	Ivory	Ivory
Weight (Kg/Km)	21	21
Outer Ø (mm)	4.6 ± 0.2	4.6 ± 0.2
Max. Tensile Load (N)	550 (Operating) / 900 (Installation)	550 (Operating) / 900 (Installation)
Max. Crush (N/100mm)	800 (IEC 60794-1-21 E3)	800 (IEC 60794-1-21 E3)
Temperature Range	-10°C to +70°C (IEC 60794-1-22 F1)	-10°C to +70°C (IEC 60794-1-22 F1)
Min. Bending Radius (mm)	5 x Outer Ø (IEC 60794-1-21 E11)	5 x Outer Ø (IEC 60794-1-21 E11)

Standards

Mechanical and Environmental tests according to IEC 60794-1-21 and IEC 60794-1-22.

Fibres colour code: 1 FO: Natural / 2 FO: Red – Green.

¹ Consult available lengths.

² LSZH – Halogen free, low smoke emission, flame retardant compound.

.....